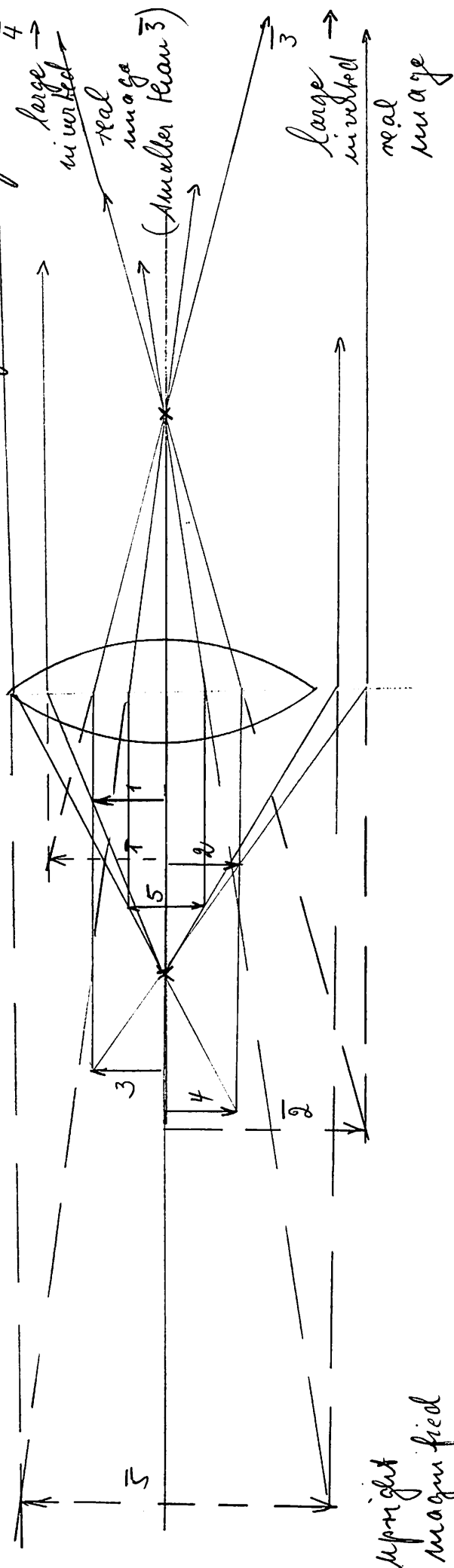


same virtual

2 Find the images of the 5 objects shown below.

image for both persons!



upright magnified virtual image

x focal points