

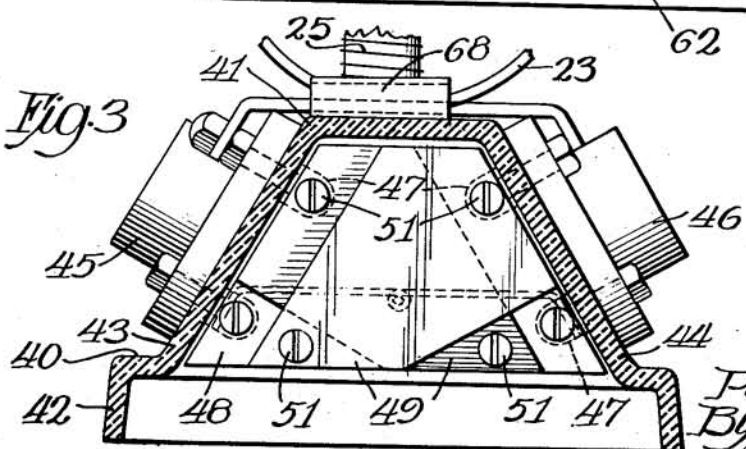
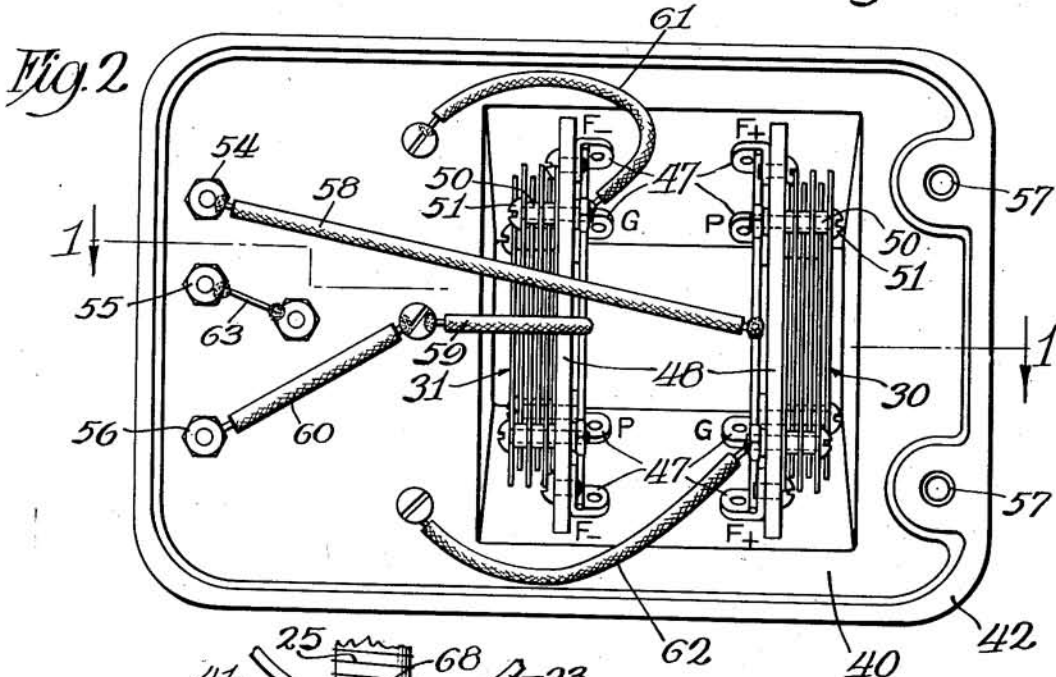
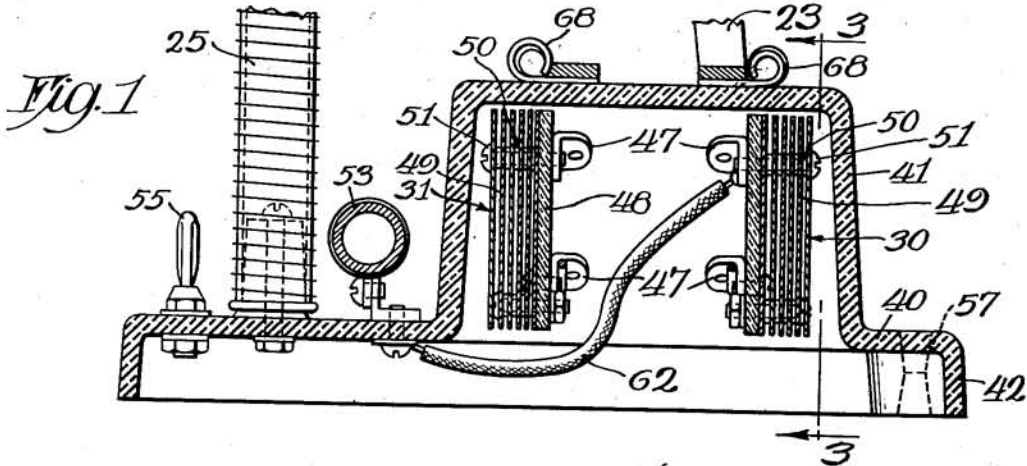
July 18, 1933.

P. E. KLOPSTEG

1,918,402

RADIO DEMONSTRATION APPARATUS

Original Filed Nov. 4, 1929 4 Sheets-Sheet 1



Inventor  
Paul E. Klopsteg  
By *J. J. Lillson*, Attorney